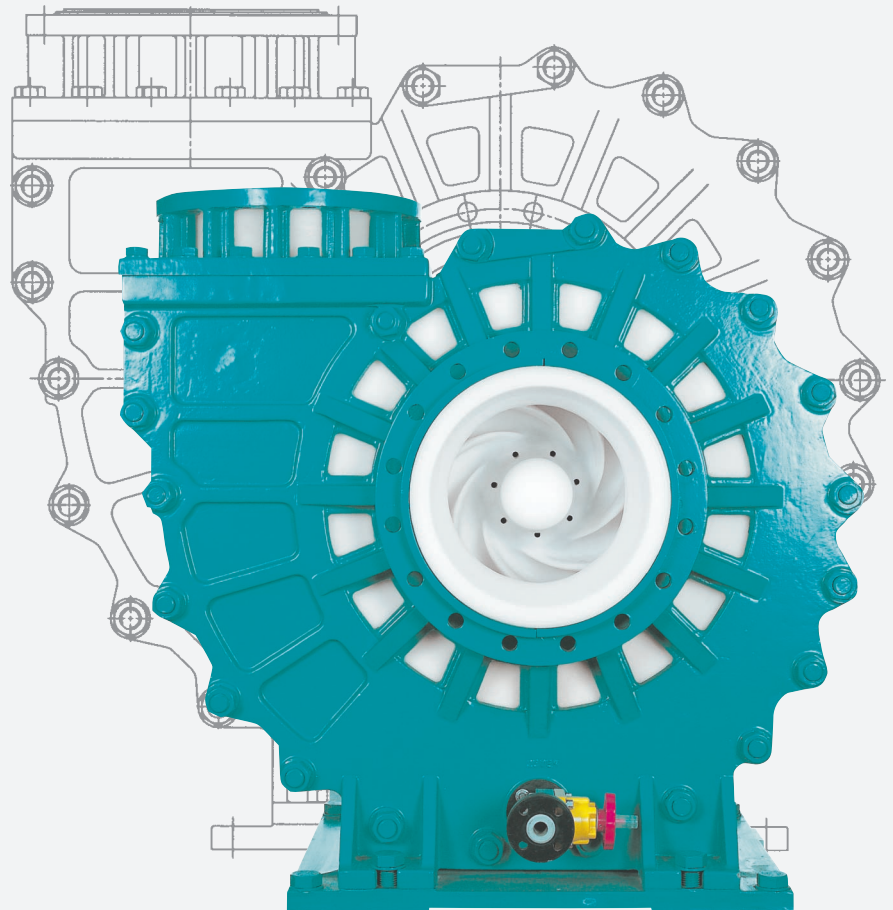


# Process Pump of Plastic Material Type Series SP



**WERNERT-PUMPEN**



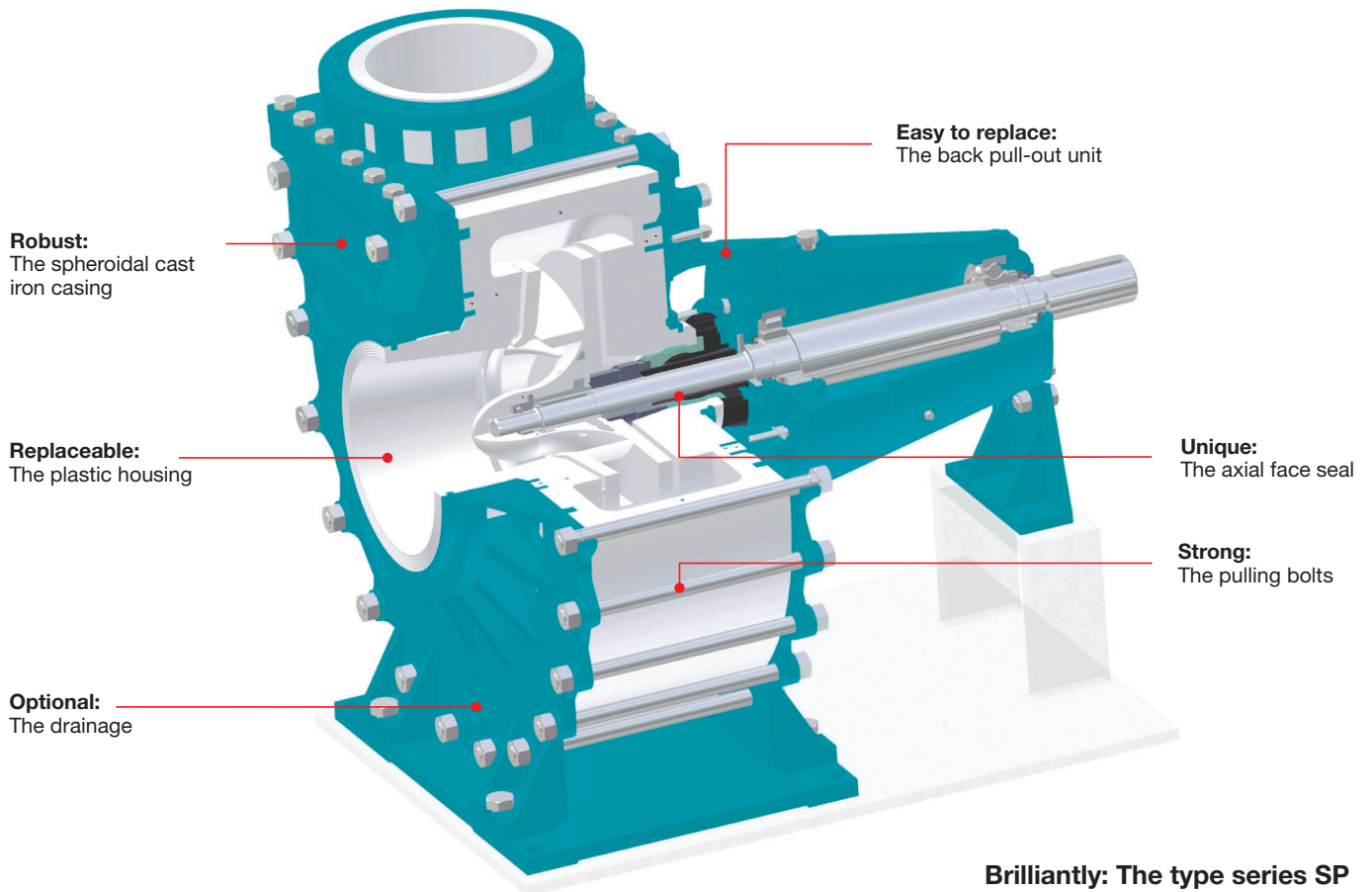
# Process Pump of Plastic Material Type Series SP

## Large Flowrates

When the maximum flow capability of standard chemical pumps has been reached, the SP heavy – duty

process pump takes over. The SP is proven in handling aggressive and corrosive fluids at flowrates between 500 & 3000 m<sup>3</sup>/hr. The pump is pressure rated to PN10 (10 bar).

Throughout the world SP pumps operate at the heart of large process plants, e.g. in chlorine electrolysis transfer and flue gas cleaning.



## Design

The casing of the SP is cast iron and the internals are solid UHMW-PE, which is suitable for fluid temperatures up to 90 °C. The pump casing absorbs the internal and external forces.

The pumps back pull-out unit can be removed for maintenance or repair without affecting the pipework or motor. The thick walled plastic internals can easily be replaced.

## Performance

Very high flowrates and the optimum efficiencies are achieved by using closed metal impellers with front vanes and back vanes (Type E). WERNERT recommend 1.4464 material when pumping slurries and 1.4517 material when handling liquids with a high chlorine content.

For fluids with pH values less than 4 we recommend closed plastic impellers manufactured for UHMW-PE with front vanes and back vanes (Type K).

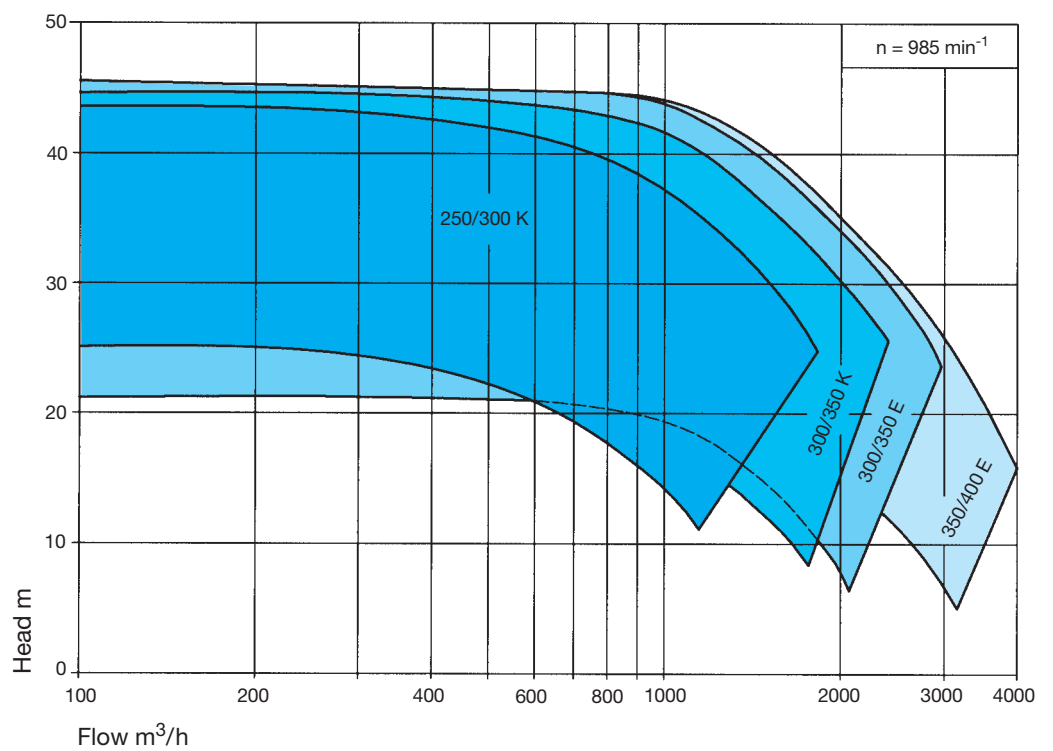
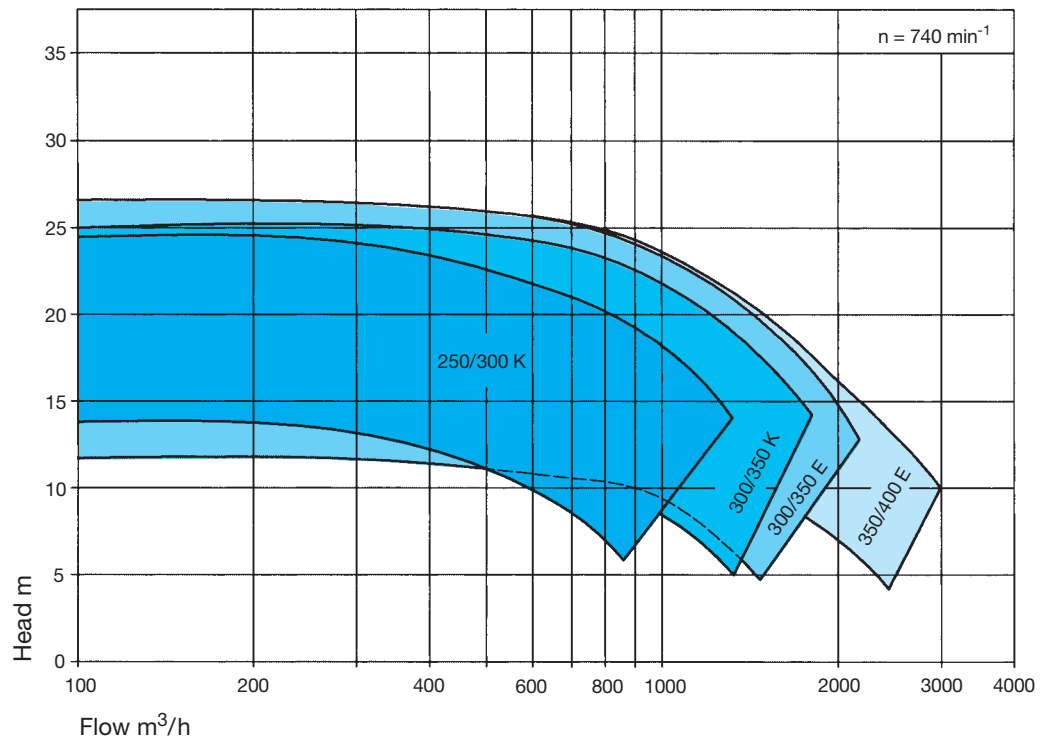
## Shaft Sealing

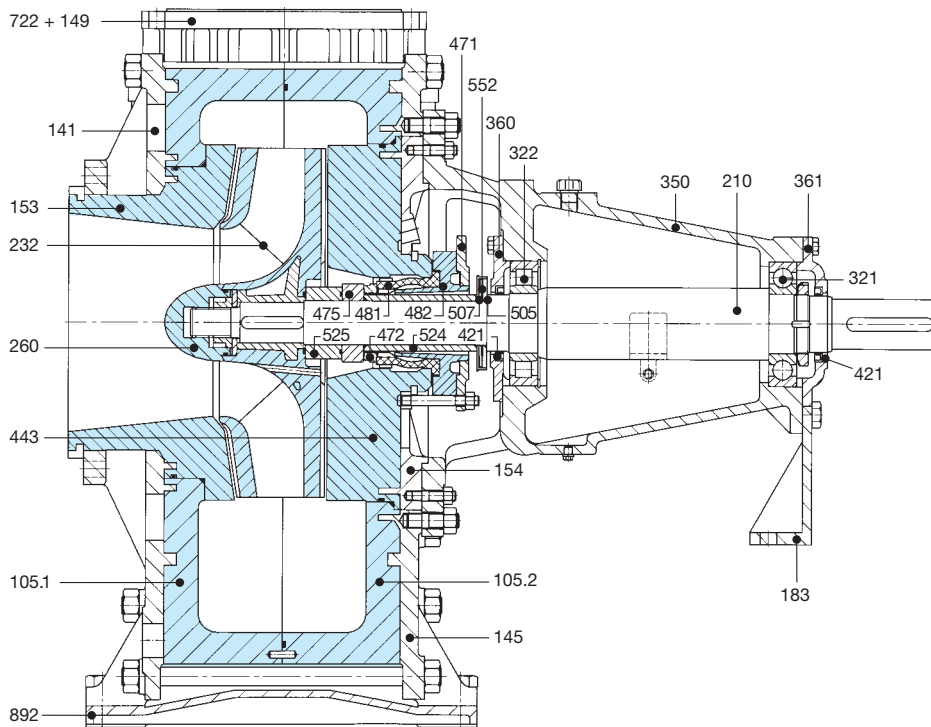
The WERNERT bellows type axial face seal is a unique simple design that has proved to be extremely reliable. It can be equipped with a quench and/or continuous flushing if required.

Various single and double mechanical seals, produced by leading manufacturers, are available for special applications.



Special applications on request.  
We reserve the right to make technical modifications.

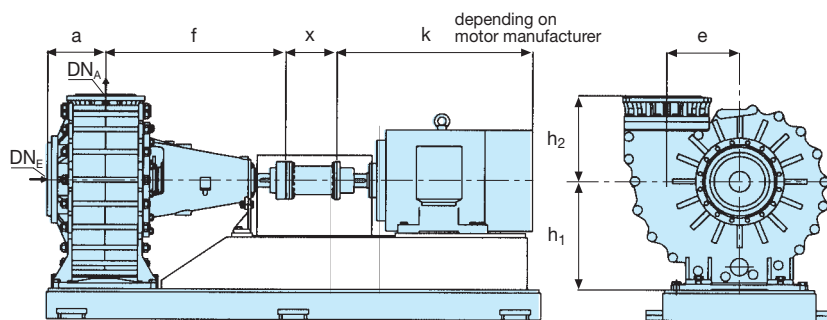




Part-No.	Designation
105.1	Casing half
105.2	Casing half
141	Outer pump mantle
145	Adaptor
149	Diffuser
153	Suction nozzle
154	Intermediate plate
183	Support foot
210	Shaft
232	Clockwise impeller
260	Impeller hub cap
321	Radial ball bearing
322	Radial rollerbearing
350	Bearing housing
360	Bearing cover
361	Bearing end cover
421	Radial shaft seal ring
443	Seal insert
471	Seal cover
472	Stationary seal ring
475	Rotating seal ring
481	Bellows
482	Bellows seat
505	Loose collar
507	Thrower
524	Shaft wearing sleeve
525	Spacer sleeve
552	Spanner
722	Taper piece, flanged
892	Pump foot plate

The type illustrated is a SP 300/350 K with closed plastic impeller.  
Only order spares according to the relevant parts list!

**Dimensions table**



Typ SP	Flanges PN 16**		a	e	f	h <sub>1</sub>	h <sub>2</sub>	x
	DN <sub>E</sub>	DN <sub>A</sub>						
250/300 K	300	250	324	350	1007	530	509	250
300/350 K	350	300	345	430	1057	650	509	300
300/350 E	350	300	345	430	1057	650	509	300
350/400 E	400*	350*	345	430	1057	650	509	300

\* Flanges PN 10

\*\* alternatively PN 10

**WERNERT-PUMPEN**



WERNERT-PUMPEN GMBH · P.O.Box 10 21 53 · D-45421 Mülheim an der Ruhr · Germany  
Phone: +49 (0) 208 / 37 58 - 0 · Fax: +49 (0) 208 / 40 74 72 · e-mail: [info@wernert.de](mailto:info@wernert.de) · <http://www.wernert.de>