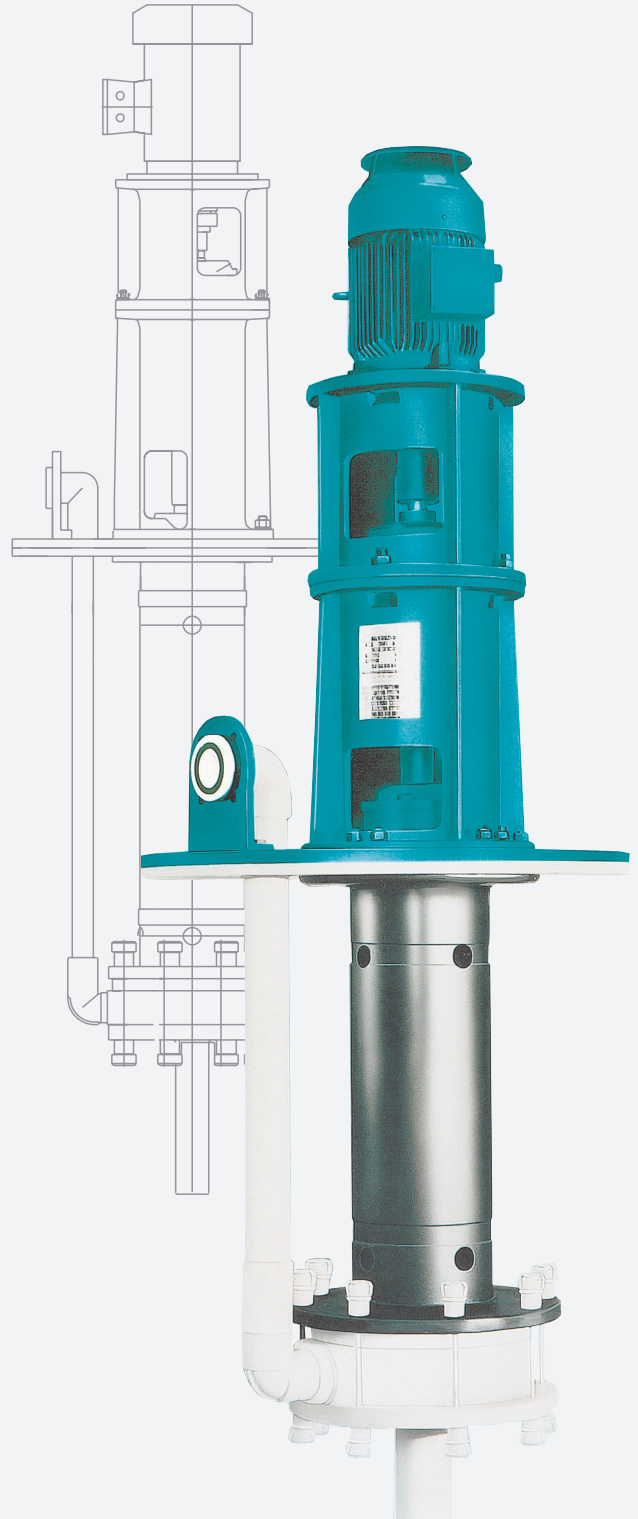


Plastic Vertical Chemical Pump Type VKPF



WERNERT-PUMPEN



Plastic Vertical Chemical Pump Type VKPF

ATEX

Submersible pump

The type VKPF is a single-stage submersible pump for open basins and tanks. The thick-walled plastic components and the high quality coatings allow various applications in pumping aggressive, corrosive and solid-laden liquids at temperatures up to 115° C. The support flange can be designed either circular or rectangular.

Protected:
The arrangement of bearings

Gastight:
The lip seal

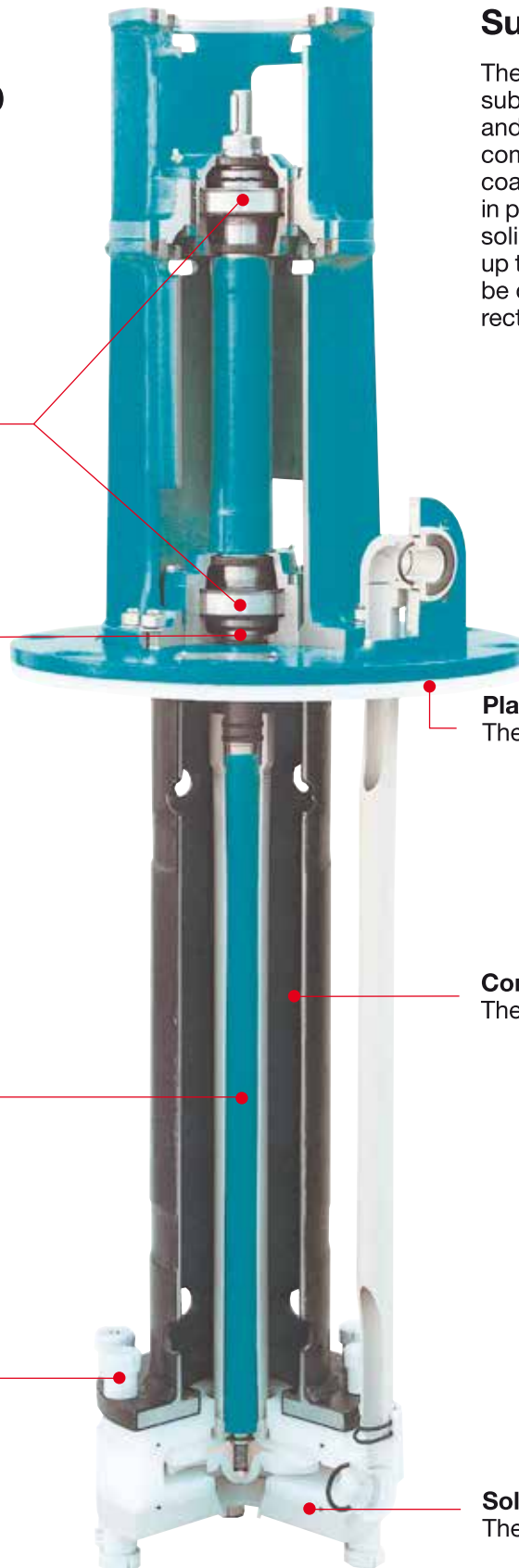
Plated:
The support flange

Completely coated steel:
The delivery suspension pipe

Vibration-free:
The shaft

Unique:
The protection caps

Solid:
The plastic casing



Dry bearing arrangement

The bearings of the shaft are located only above the support flange. There are no bearings in the submerged area. Therefore even liquids that are highly solid-laden can be pumped easily. It is a reliable construction that can be built up to an immersion depth of 1,5 m (measure f1 – see dimensional drawing). For any longer immersion depths we refer to our pump type VKP.

Tolerant towards dry running

Hydrodynamic reduction of the pressure on the rear of the impeller means that a mechanical seal is not required and the pump can run dry for a short time (for example when tanks are emptied). This type of pump is therefore operator-friendly and preferred by many users.

Operating method

On starting the pump, the liquid level must be between measures f2 (min. start level) and f3 (max. start level). When the pump is in operation the liquid level can reduce and turn into suction lift condition.

Suction pipes with variable lengths up to max. 3,5 m (measure x – see dimensional drawing) are available.



Materials

The choice of plastics and coatings depends on the chemical, thermal, mechanical and abrasive loads. The following plastics are used for impeller and casing parts and are indicated by the third letter of the type reference:


VKPF – Ultra high molecular weight low pressure polyethylene (UHMW-PE)

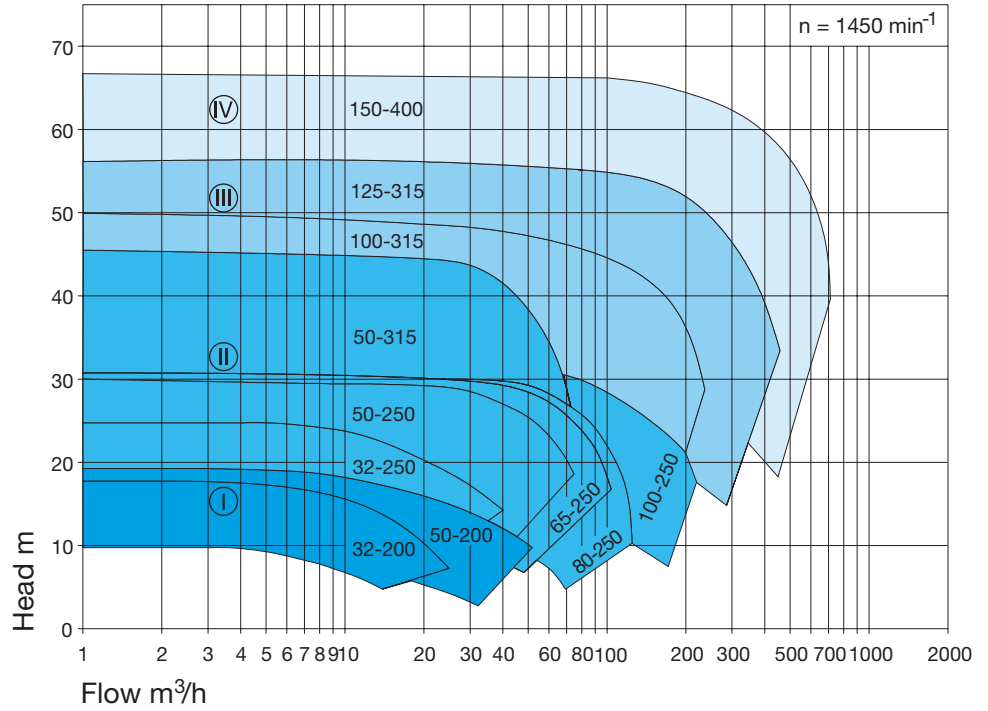
VKKF – Polyvinylidene fluoride (PVDF)

The delivery suspension pipe is made of steel with coating of ebonite or E-CTFE (Halar).


Special applications on request.

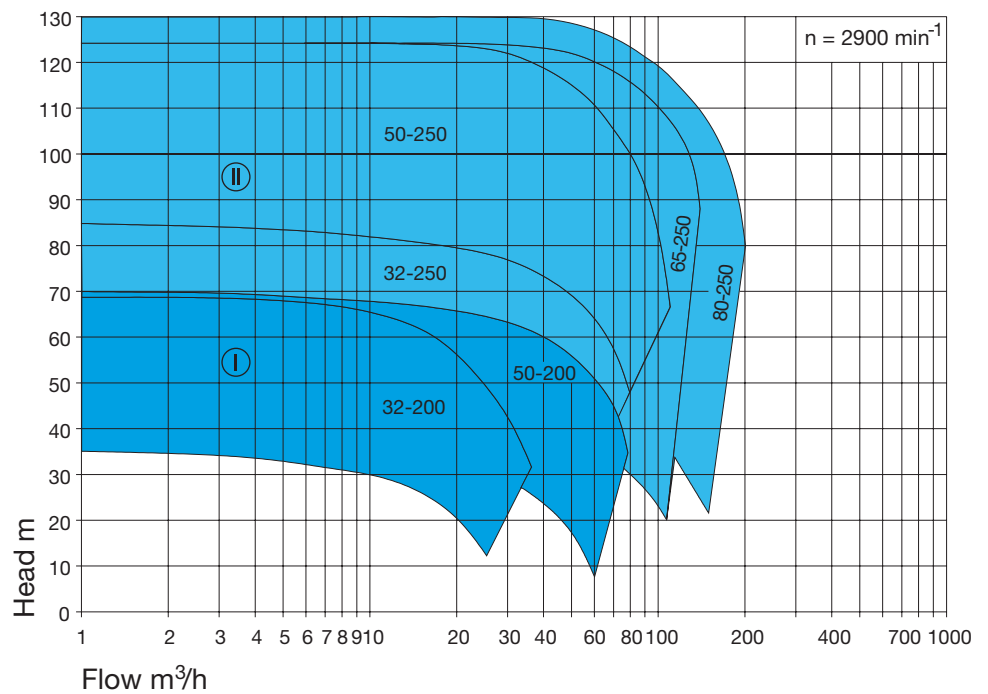
We reserve the right to make technical modifications

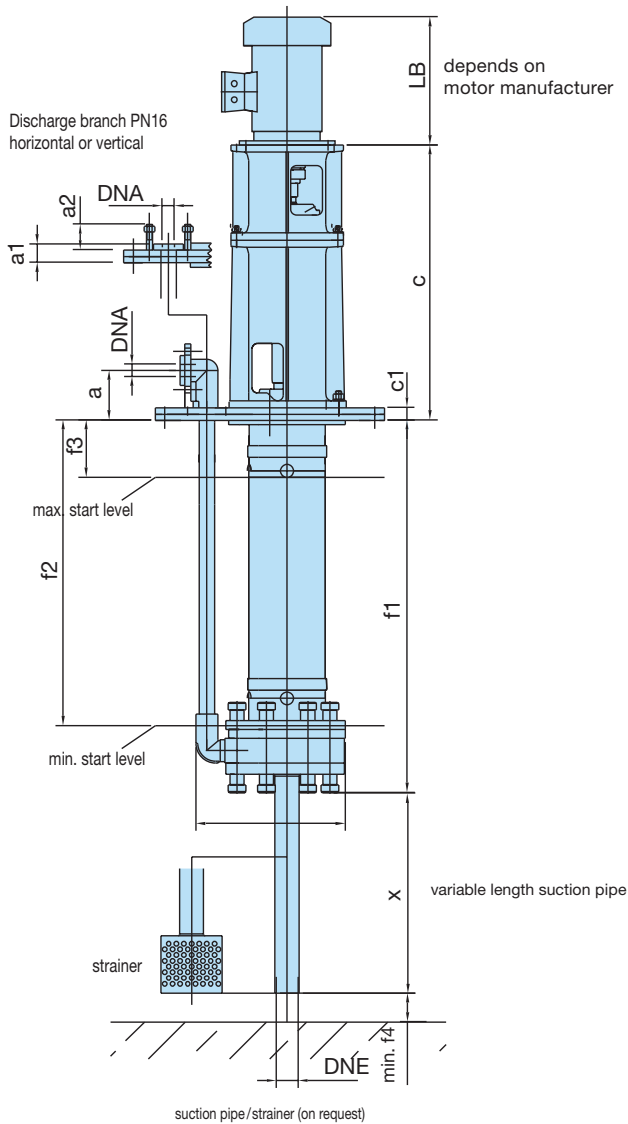

Pumps with same bearing support size



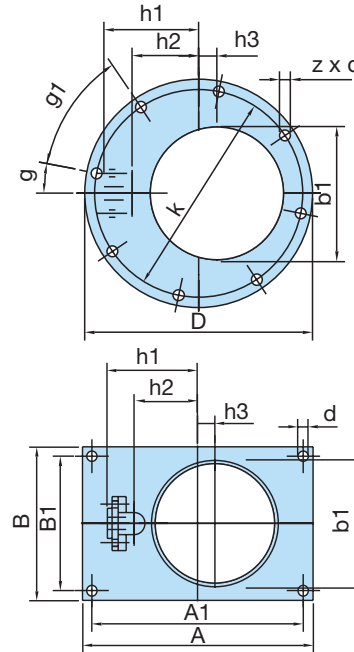
Operation with 2900 min⁻¹ only with "short" immersion depth "see measure f₁"


Pumps with same bearing support size





Support flange circular or rectangular



Dimensions table Support flange circular or rectangular

D	k	g	g1	z x d	A	A1	B	B1	d
565	515	11,25°	45°	8x27	600	550	400	350	27
670	620	9°	36°	10x27	670	620	500	450	27
780	725	9°	36°	10x30	780	730	600	500	30
780	725	9°	36°	10x30	780	730	600	500	30
780	725	9°	36°	10x30	780	730	600	500	30
780	725	9°	36°	10x30	780	730	600	500	30
780	725	9°	36°	10x30	780	730	600	500	30
895	840	7,5°	30°	12x30	900	850	700	600	30
1115	1050	6,4°	25,7°	14x33	1115	1050	1115	1050	33
1115	1050	6,4°	25,7°	14x33	1115	1050	1115	1050	33
1455	1380	5,6°	22,5°	16x39	1455	1380	1455	1380	39

Dimensions in mm

Dimensions table

Type VKPF	DNA	DNE	a	a1	a2	b	b1	c	c1	f1 short	f2 short	f3 short	f1 long	f2 long	f3 long	f4	h1	h2	h3
32-200	32	50	130	48	65	391	329	720	33	975	800	150	1510	1335	260	75	235	165	45
50-200	50	80	160	48	65	461	361	720	33	985	800	150	1520	1335	260	120	280	177,5	65
32-250	32	50	-	48	65	557	441	776	33	900	700	150	1500	1300	260	75	-	229	70
50-250	50	80	160	48	65	557	441	776	33	900	700	150	1500	1300	260	120	332	229	70
50-315	50	80	160	48	65	570	471	776	33	900	700	150	1500	1300	260	120	345	242	70
65-250	65	100	160	48	65	567	441	776	33	900	700	150	1500	1300	260	120	345	229	70
80-250	80	125	160	48	65	586	441	776	33	900	700	150	1500	1300	260	185	365	230	80
100-250	100	125	-	48	75	658	461	776	33	919	700	150	1519	1300	260	185	-	245	115
100-315	100	125	-	48	75	825	525	1240	28	-	-	-	1527	1225	150	185	-	342	145
125-315	125	150	-	55	85	865	575	1240	28	-	-	-	1527	1225	150	225	-	342	145
150-400	150	200	-	55	95	1095	700	1229	34	-	-	-	1527	1225	150	300	-	440	200

Dimensions in mm

WERNERT-PUMPEN



WERNERT-PUMPEN GMBH · P.O.Box 10 21 53 · D-45421 Mülheim an der Ruhr · Germany
Phone: +49 (0) 208 / 37 58 - 0 · Fax: +49 (0) 208 / 40 74 72 · e-mail: info@wernert.de · <http://www.wernert.de>